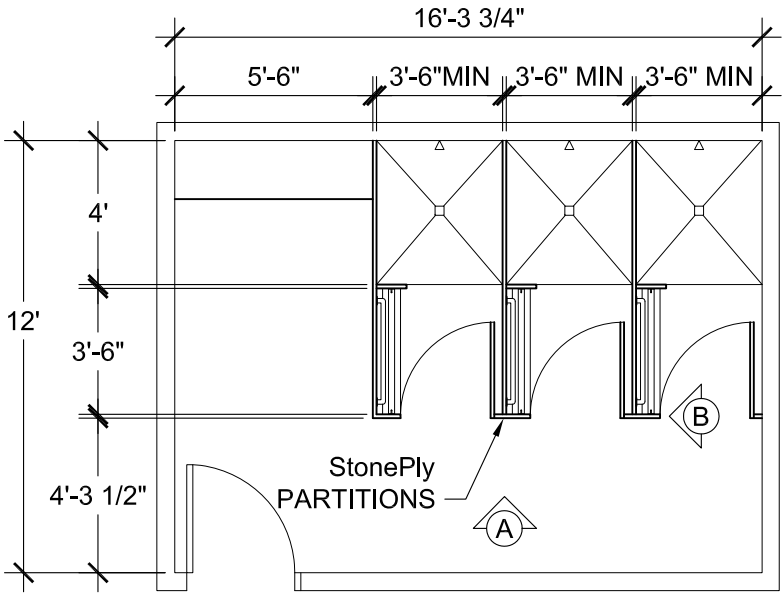
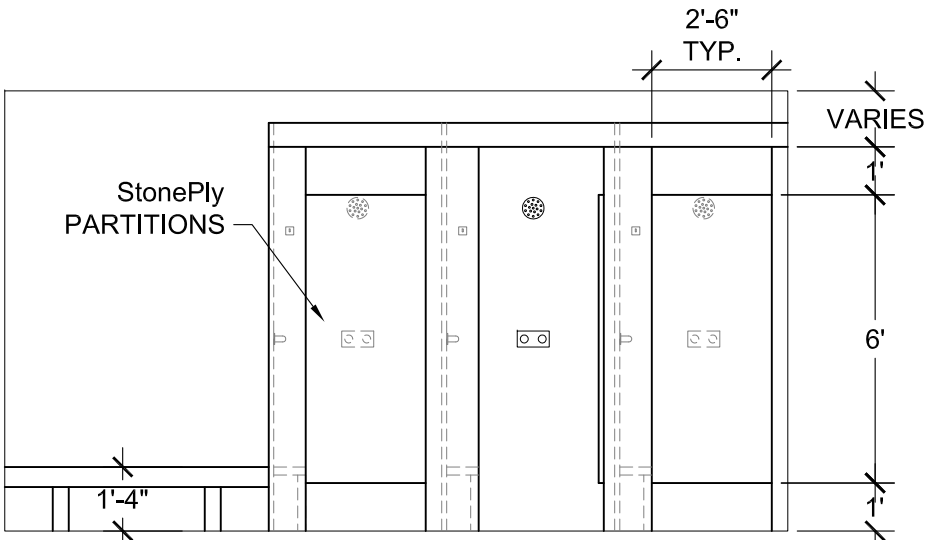


**NOTE:**

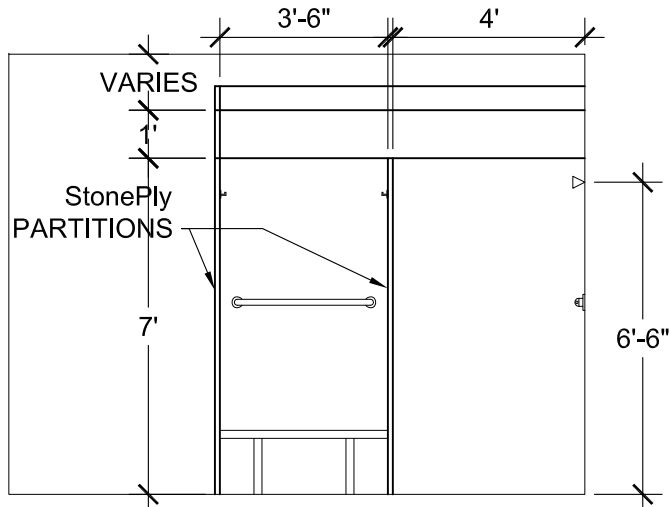
- 1. DIMENSIONS SHOWN FOR REFERENCE. DIMENSIONS MAY VARY PER PROJECT TO COMPLY WITH ALL CODE REQUIREMENTS & DESIGN INTENT.
- 2. REFERENCE SLP-001 & SLP-002 DRAWING FOR MOUNTING DETAILS



**PLAN VIEW**  
3/16" = 1'-0"



**ELEVATION A**  
1/4" = 1'-0"



**ELEVATION B**  
1/4" = 1'-0"

ALL RIGHTS RESERVED. THIS DRAWING IS PROPERTY OF STROMBERG ARCHITECTURAL PRODUCTS INC. AND MAY BE USED ONLY WHEN UTILIZING STROMBERG ARCH. PRODUCTS .STROMBERG GENERAL TERMS AND CONDITIONS APPLY AND ARE INCORPORATED HERE IN BY REFERENCE. THIS DETAIL MAY NOT APPLY TO ALL CONDITIONS AND CONSTRUCTION SITUATIONS.

**Stone Ply**

4400 O'neal Street, Greenville, TX 75401 PHONE 903.454.0904 FAX 903.454.0233

TITLE: StonePly	TYPE DWG: LAVATORY PARTITIONS
SCALE: AS NOTED	DWG. SHEET: <b>SLP-006</b>