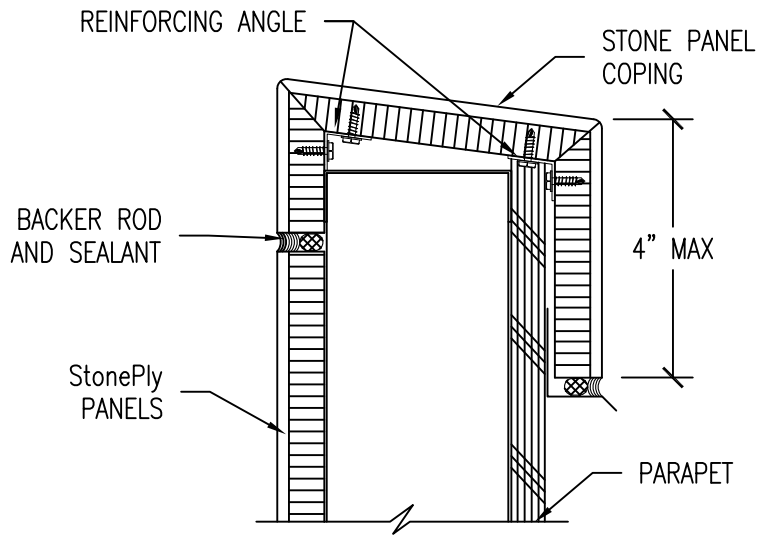


FC4 PARAPET WITH COPING CONDITION



FC4 PARAPET CONDITION

ALL RIGHTS RESERVED. THIS DRAWING IS PROPERTY OF STONEPLY. AND MAY BE USED ONLY WHEN UTILIZING STONEPLY PRODUCTS. STONEPLY. GENERAL TERMS AND CONDITIONS APPLY AND INCORPORATE HERE IN BY REFERENCE. THIS DETAIL MAY NOT APPLY TO ALL CONDITIONS AND CONSTRUCTION SITUATIONS.



STONEPLY

4400 Oneal Street, Greenville, TX 75401 Phone 903.454.4630 Fax 903.454.0233

TITLE: **PARAPET CONDITION**

FILE NUMBER: **FCD4**